
Installation and
Configuration

Unpacking and Assembling the Plotter/Printer

When the plotter/printer arrives at the user site:

- 1 Inspect the shipping container for damage.

If the shipping container shows signs of damage, retain it until you have checked the contents of the shipment and verified the performance of the plotter.

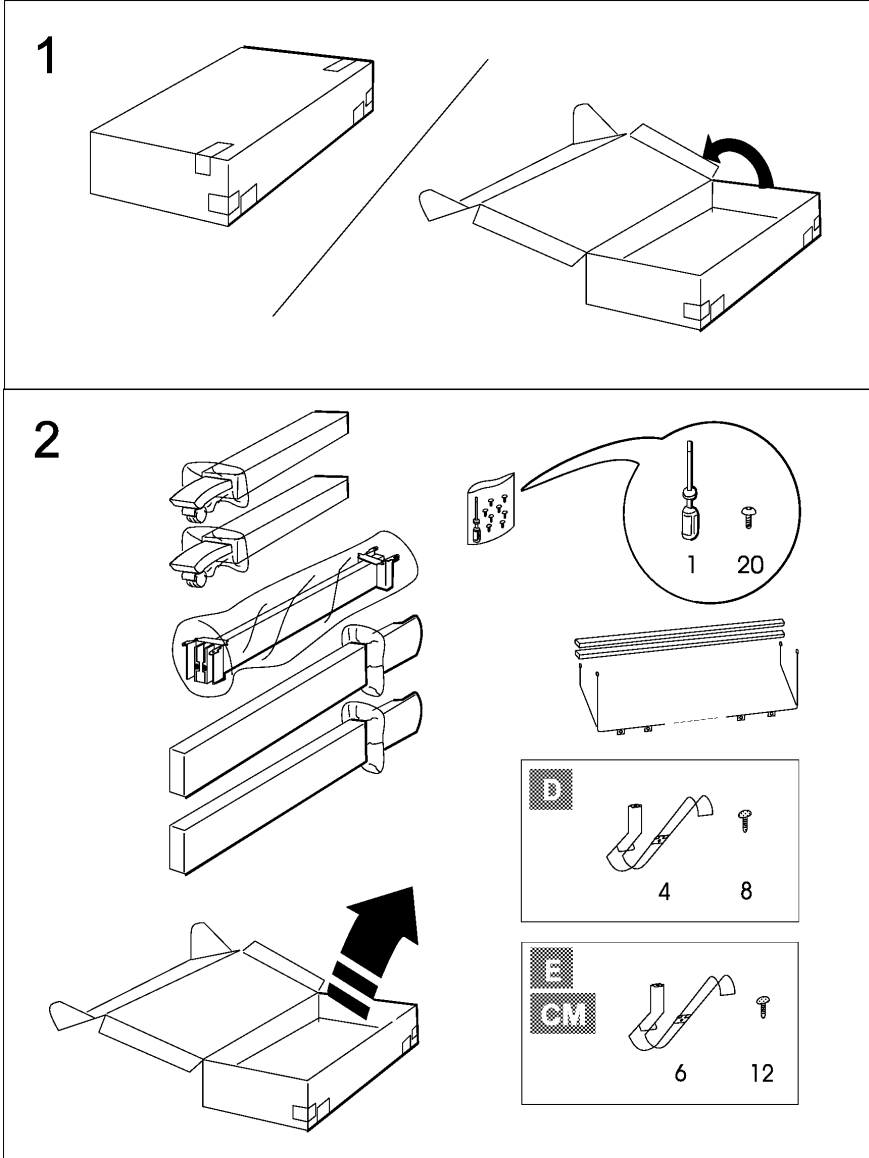
- 2 Unpack and assemble the plotter, following the series of illustrations as follows.

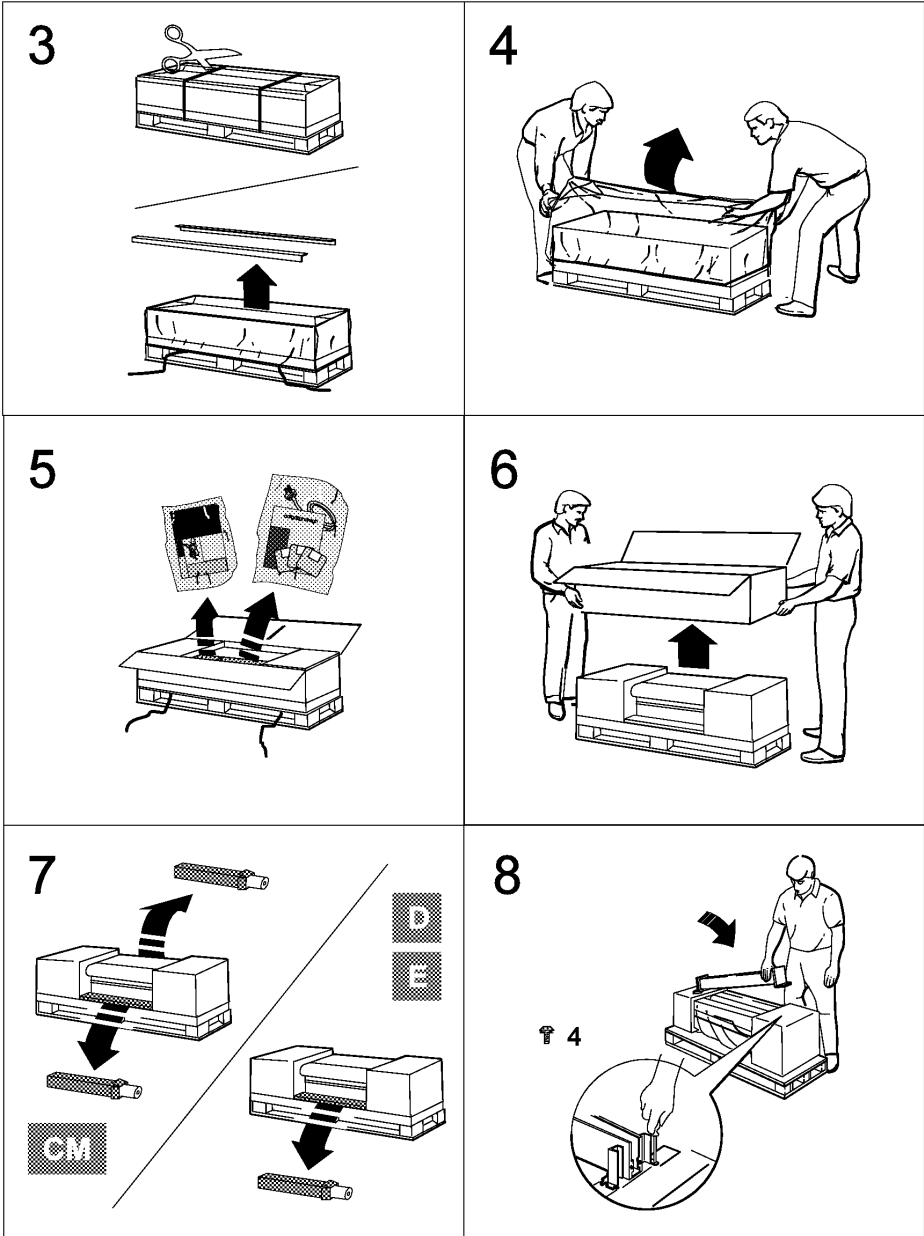
The capitals included in the frames correspond to the following plotters:

D: DesignJet 700, 750C and 750C Plus (D/A1)

E: DesignJet 700, 750C and 750C Plus (E/A0)

CM: 755CM (E/A0)





Inspecting the Plotter/Printer for Damage

Visually inspect the plotter/printer for damage, scratches, dents, or other mechanical defects. If the plotter is damaged in transit, notify the carrier and the nearest HP Sales and Support Office. Retain the shipping container and insulation material for the carrier's inspection. The Sales and Support Office will arrange for the repair or replacement of the plotter.

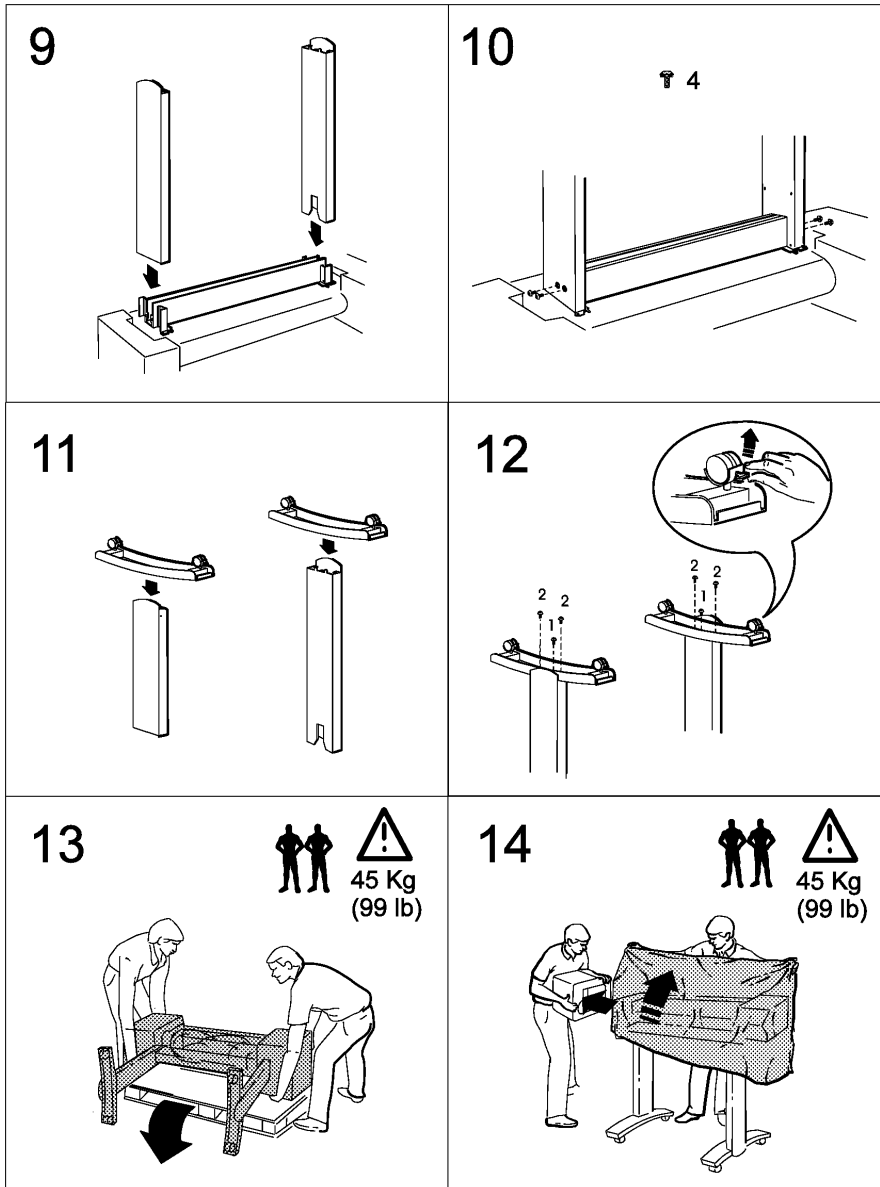
Repacking the Plotter/Printer

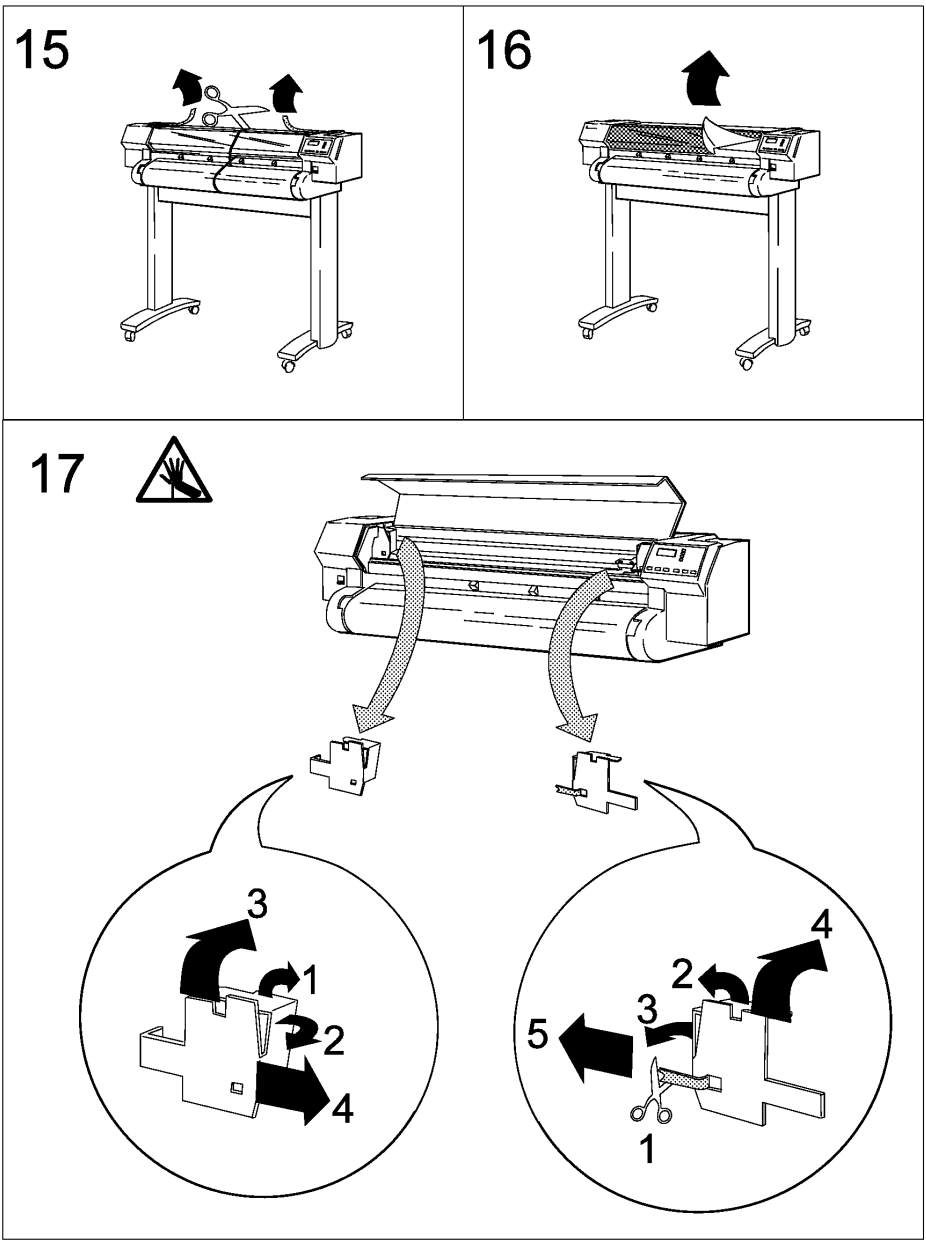
You can order a repacking kit if you need to repack the plotter/printer and don't have the shipping container and insulation material. (Part numbers ♦ chapter 11.)

Be careful when returning the plotter/printer to ensure that at no time is it turned upside down – neither during packing nor shipment – otherwise ink from the spittoon may leak and damage the equipment.

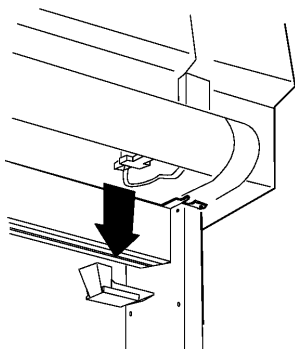
Assembling the Legs and Media Bin (Optional)

If the user has purchased the optional legs and media bin for the plotter, assemble them following the series of illustrations below:

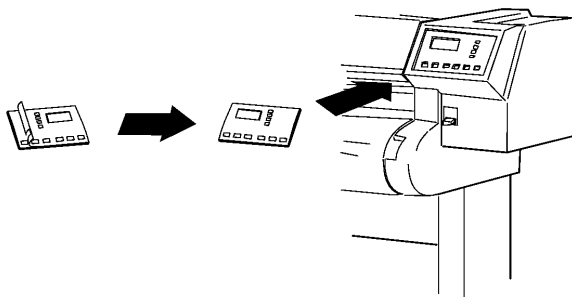




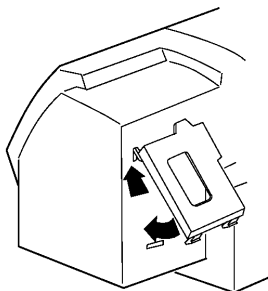
18



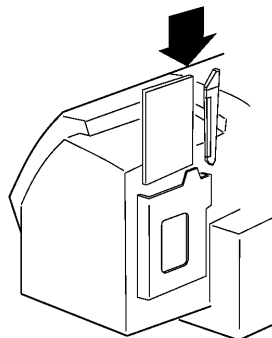
19

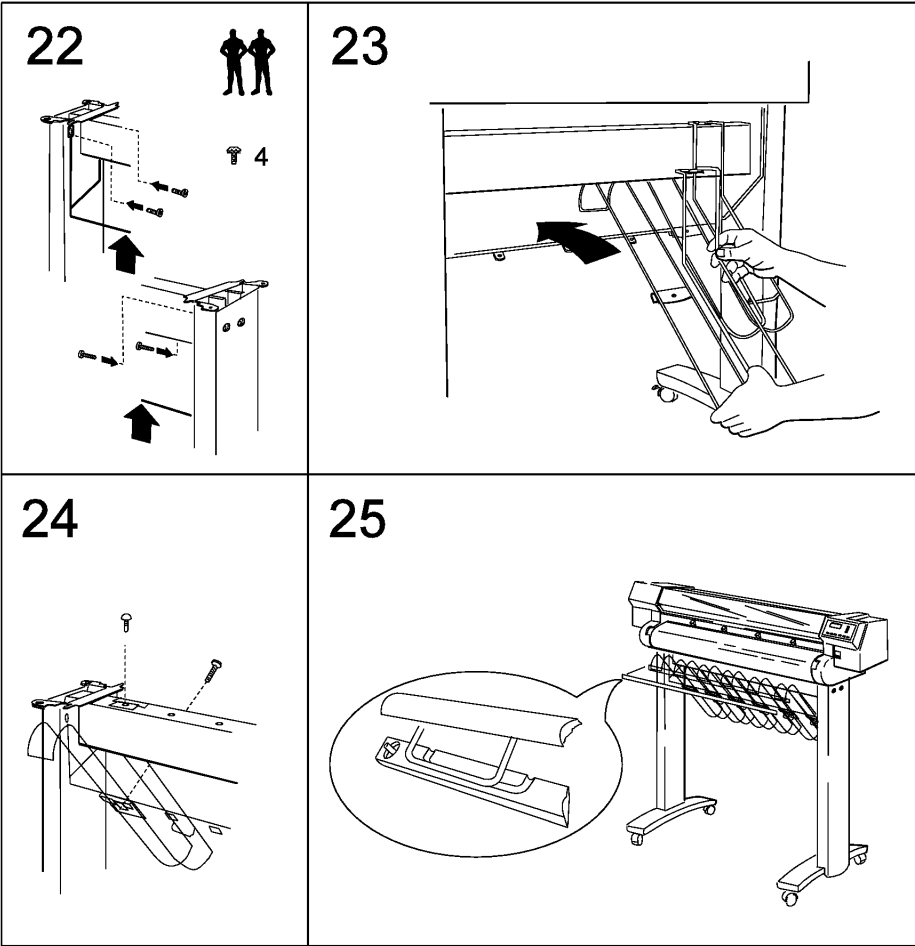


20



21





Installing the Plotter/Printer

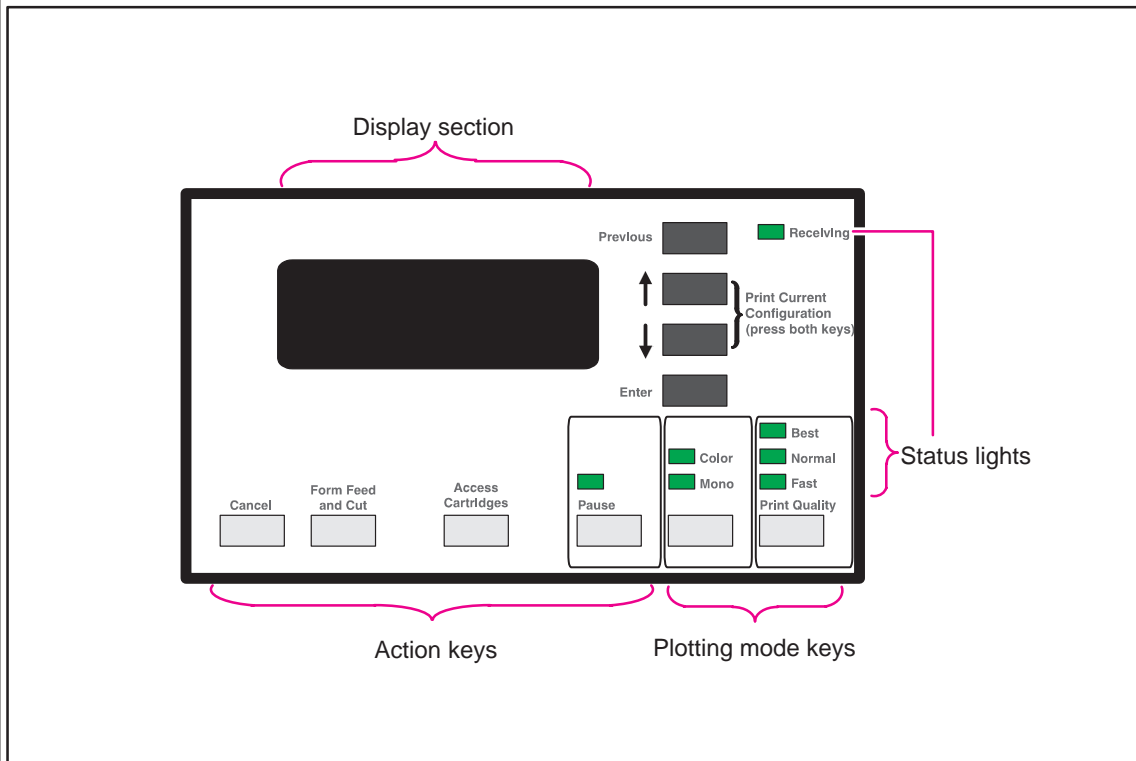
(Instructions ▶ User's Guide, chapter 1, *Setting up your plotter*)

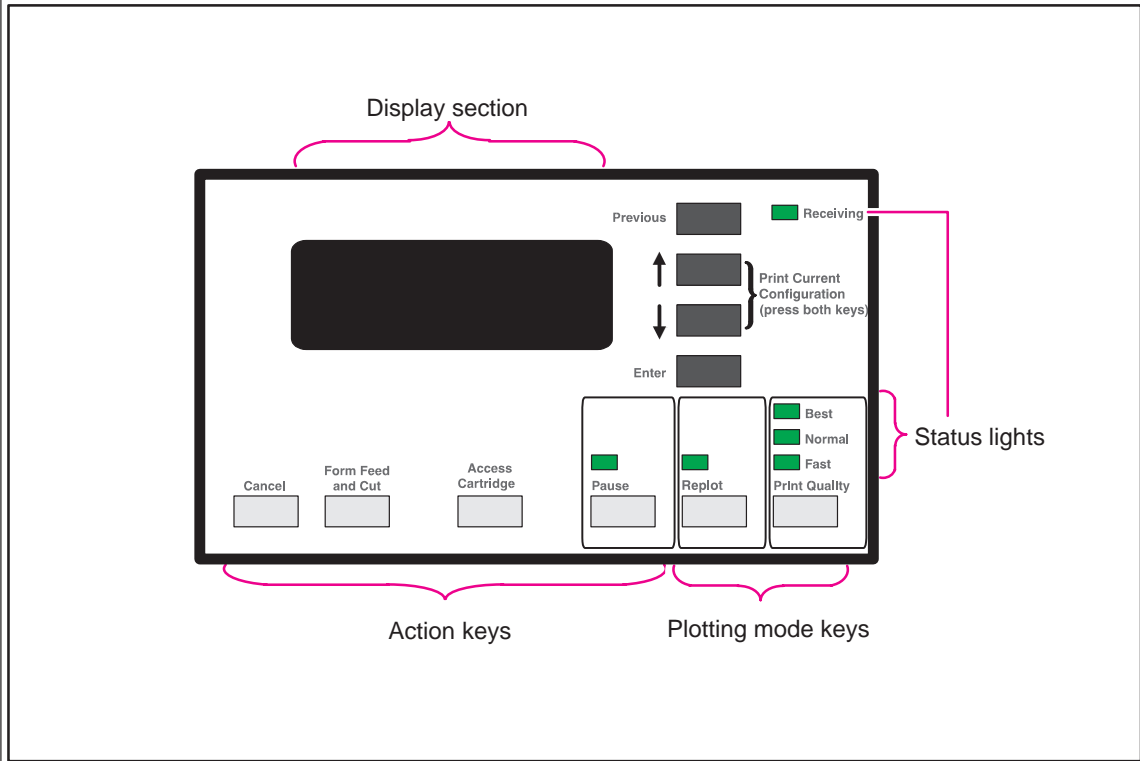
Using the Plotter

(Instructions ▶ User's Guide)

750C
750C
Plus
755
CM

DesignJet 750C/750C Plus/755CM Front Panel





Third-Party Inks and Off-Axis Ink Systems

HP does not support third-party inks or off-axis ink systems for use with any of its DesignJet series plotters or printers. If a failure or damage to such HP products is found to be directly attributed to the use of third-party inks or off-axis ink systems (or any other non-supported HP supply or accessory), the repair will NOT be covered under HP's warranty or maintenance contract. In such cases, standard time and material charges will be applied to service the plotter or printer.

Configuring the Plotter/Printer

(Instructions ▶ User's Guide, chapter 7)

The User's Guide describes how to:

- Print out a current configuration sheet (an example is given on the following page).
- Change the front-panel settings.
- Change the graphics-language settings.
- Change the interface settings.
- Upgrade the plotter with more memory (not applicable to the DesignJet 755CM).

Verifying Plotter Operation

The plotters contain several types of internal operational checks and tests to ensure that the plotter is properly functioning and to help identify problems if any are detected.

Power-On Self-Tests

Whenever you switch the plotter on, it automatically performs a series of internal self-tests and mechanical initialization sequences. If a failure occurs, an error is indicated on the front-panel display. You can perform a failure analysis by reading the error codes/messages. (Details ▶ chapter 8.)

Demonstration Plot

You can check proper plotter operation by plotting and examining the demonstration plot, which is resident in the plotters. This plot shows different plotter capabilities including pen line widths and shading. You can set the demonstration plot, to plot in any of the languages listed in the **Language** box on the front-panel display.

(Instructions ▶ User's Guide, chapter 1, § *Change the language*,
▶ User's Guide, chapter 1, § *Send a sample plot or demonstration plot*.)

HP DesignJet 750C/PS Printer Current Configuration

Plot mgmt ->

Nest Optimal

Nest wait 2 Min

* Queue On

Utilities ->

Menu mode Full

** Utilities -> Statistics ->*

Max X 286mm

Max Y 200mm

Code rev H.00.02b

RAM present 4MB

Media Opaque Bond

ROM SIMM Postscript 3.0

Language English

** I/O setup -> Modular ->*

MIO MIO Not Present

** I/O setup -> RS-232-C ->*

	Factory	Config A	Config B
Baudrate	9600	9600	9600
Parity	None	None	None

Selected

** I/O setup ->*

I/O timeout 30 Min

Pen settings ->

Palette Software

* Merge Off

Current palette Settings

Factory			Palette A			Palette B		
Pen	mm	color	Pen	mm	color	Pen	mm	color
0	0.35	0	0	0.35	0	0	0.35	0
1	0.35	1	1	0.35	1	1	0.35	1
2	0.35	2	2	0.35	2	2	0.35	2
3	0.35	3	3	0.35	3	3	0.35	3
4	0.35	4	4	0.35	4	4	0.35	4
5	0.35	5	5	0.35	5	5	0.35	5
6	0.35	6	6	0.35	6	6	0.35	6
7	0.35	7	7	0.35	7	7	0.35	7
8	0.35	8	8	0.35	8	8	0.35	8
9	0.35	12	9	0.35	12	9	0.35	12
10	0.35	19	10	0.35	19	10	0.35	19
11	0.35	27	11	0.35	27	11	0.35	27
12	0.35	35	12	0.35	35	12	0.35	35
13	0.35	68	13	0.35	68	13	0.35	68
14	0.35	100	14	0.35	100	14	0.35	100
15	0.35	110	15	0.35	110	15	0.35	110

Lightness

Margins

Merge

Plotter setup ->

* Lightness	Normal	* Skew tolerance	Off
* Graphics language	7586, HP-GL/2	* Cartridge check	Off
* Terminator	Normal	Drying time	Normal
* PostScript scale	129%		

Page format ->

Size	Inked area
* Mirroring	Off
* Margins	Normal
* Rotate	0

Legend:

Items marked with an asterisk (*) appear on the front panel ONLY WHEN the option

Utilities > Menu mode is set to Full.

Notes